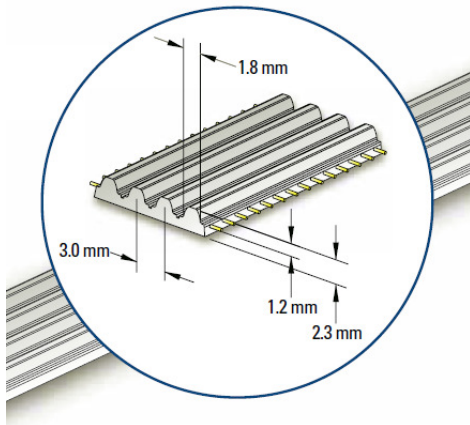


siegling proposition

timing belts



Timing belt pitch 3 mm

Properties/Advantages

- Standard widths: 50 mm. to 450 mm
- Colour: blue
- Kevlar cords
- FDA and EU compliant
- Compatible with 3MR GT, 3M HTD and 3M RPP pulleys

Applications

- Food industry
- Check weighers
- In general: as an alternative for conveyor belts where positioning of the belt is important

Basic technical data

Minimum welded belt length: 1200 mm

Minimum number of pulley teeth: 19

Specific belt weight: 0,002 kg /m /mm

Allowable belt force: 880 N / 100 mm (welded belt)

187.2

FMS · Reproduction of text or parts thereof only
with our approval.

Modifications reserved.

Forbo Siegling Nederland BV
Van Rensselaerweg 1
NL – 6956 AV Spankeren
Tel +31 313 491105, Fax +31 313 4922314
Email: oscar.rondeel@forbo.com

Siegling – total belting solutions

Forbo

MOVEMENT SYSTEMS